

TRAMPOLINE PLAYHOUSE



Manual depicts typical installation – your model may differ from illustrations

READ THIS FIRST!!!

Thank you for purchasing our product

**IN CASE OF MISSING OR BROKEN
PARTS, PLEASE CONTACT PLACE OF
PURCHASE FOR ASSISTANCE.**

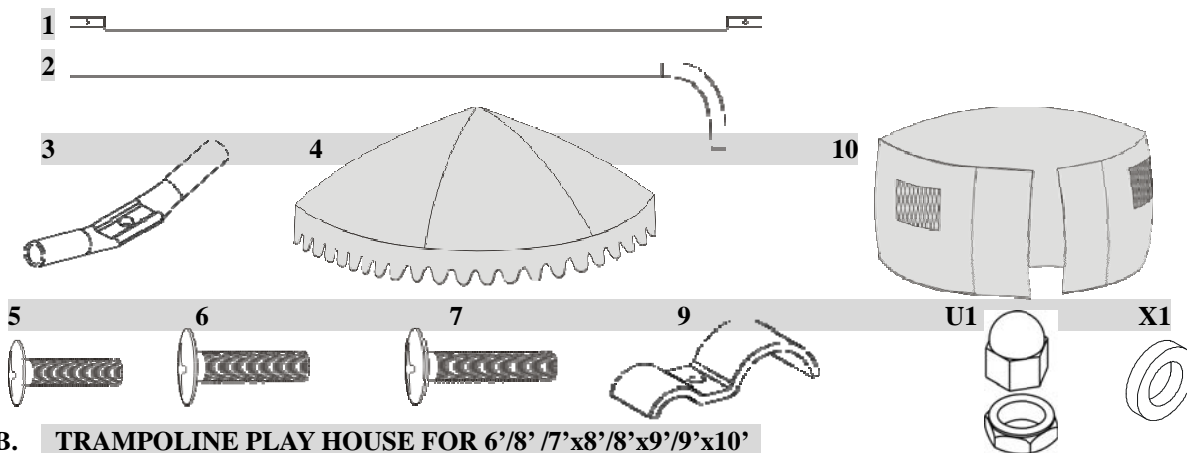
PARTS LIST

1. PACKAGE CONPLAYHOUSES

Please select your trampoline Playhouse

A. TRAMPOLINE PLAY HOUSE FOR 10'x12' / 13'x14' / 15'x10' / 11'x12' / 12'x13' / 13'x14' / 14'x15'

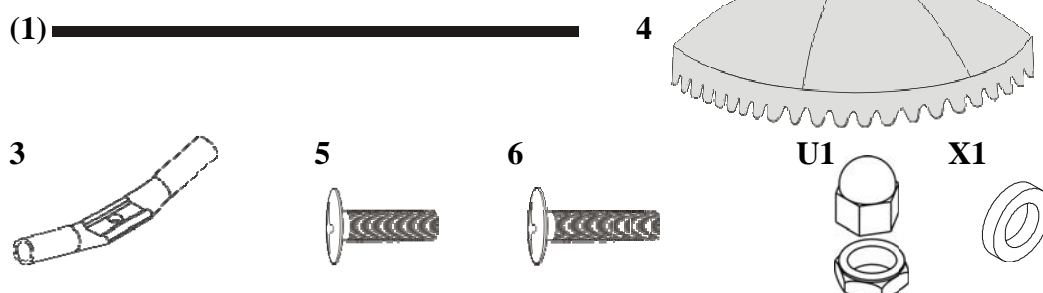
SEQ.	DESCRIPTION	For 3 leg trampoline	For 4 leg trampoline	For 5 leg trampoline
1	Tube #1	6	8	10
2	Tube #2	6	8	10
3	Connector	3	4	5
4	PLAYHOUSE	1	1	1
5	Screw M6x20mm	1	/	/
6	Screw M6x25mm	/	1	/
7	Screw M6x30mm	6	8	11
9	Metal plate	12	16	20
10	PLAYHOUSE B	1	1	1
U1	Safety Nut	7	9	11
X1	Nylon Washer	7	9	11



B. TRAMPOLINE PLAY HOUSE FOR 6'x8' / 7'x8' / 8'x8' / 9'x9' / 9'x10'

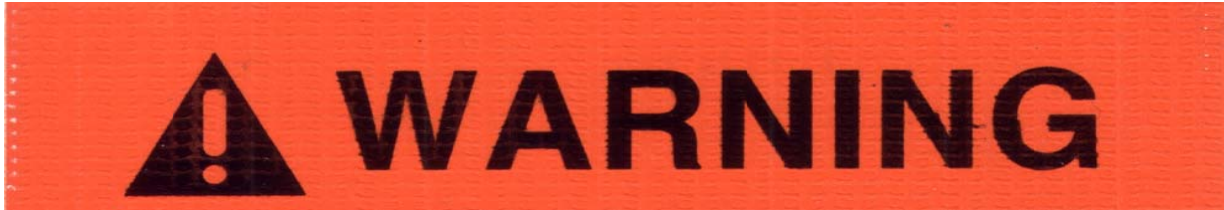
SEQ.	DESCRIPTION	For 3 leg trampoline	For 4 leg trampoline
(1)	Pole	12	16
3	Connector	3	4
4	PLAYHOUSE	1	1
5	Screw M6x20mm	1	/
6	Screw M6x25mm	/	1
U1	Safety Nut	1	1
X1	Nylon Washer	1	1

2. DIAGRAMS OF PARTS



USER'S MANUAL FOR TRAMPOLINE PLAYHOUSE

READ THIS MANUAL AND ALL MATERIALS PROVIDED WITH YOUR TRAMPOLINE THOROUGHLY BEFORE ASSEMBLING OR ALLOWING ANY PERSON TO USE THIS TRAMPOLINE PLAYHOUSE. PLEASE RETAIN THIS MANUAL FOR FUTURE REFERENCE.



To reduce the chance of death or serious injury, read the user's manual before you assemble or use the playhouse

Adult Supervision: *Adult assembly required.

*Adult supervision required for children using playhouse.

Protect Children: *Prevent falls and strangulation---Exit through the door only, and use caution.

*Assist young children in and out of playhouse.

*No jumping inside or climbing on top of playhouse.

*High temperatures can harm small children. On hot days keep window open to reduce heat build-up in playhouse.

*Frame pads must be in place prior to playhouse assembly.

Reduce the Chance of Fire, Burns, and Electrocution:

*No fires, flame ignition sources, such as matches, light, candles, heaters, lanterns, or barbecues in, under, or near playhouse.

*No plug-in electrical devices. Do not use household electrical appliances inside the playhouse.

*Trampoline mat is not flame retardant.

Protect the Playhouse and Trampoline:

*No sharp or glass objects inside playhouse.

*No pets with claws inside playhouse.

*In high or gusting winds, take down playhouse and stake trampoline line to the ground.

Keep all flame and heat sources away from this fabric.

This playhouse fabric is not fire proof, the fabric will burn if left in continuous contact with any flame. The application of any foreign substance to the playhouse may render the flame resistant properties ineffective.

HOW TO ASSEMBLE THE TRAMPOLINE PLAYHOUSE

Read all assembly steps carefully before beginning to assemble the playhouse. Refer to drawings for clarification, it is recommended that two or three adults assemble this playhouse together.

It is recommended that wearing the gloves while you assemble the playhouse. The trampoline can be regarded as a "table" to keep the playhouse off the ground and offer a frame of reference.

STEP 1:

FOR A: Connect Tube #1 and #2 together as shown in FIGURE1 ensuring the locking mechanism clicks into place.(See figure 1)

FOR B : Assemble the two fiberglass poles by joining the sections together. The inside elastic cord can be seen in the poles which holds them rigidly together. (See figure 1)

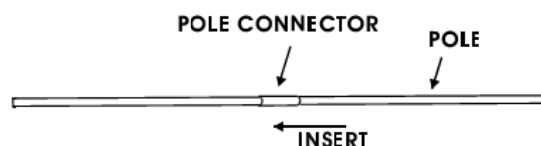
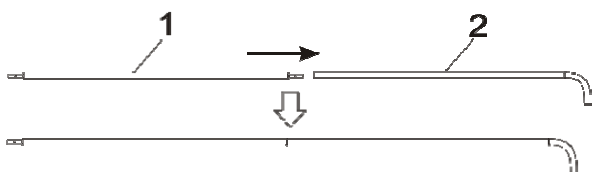


FIGURE 1

BE CAREFUL OF THE POLE ENDS AND CONNECTOR WHEN YOU ASSEMBLE THE POLES AS THERE IS POPLAYHOUSEIAL HAZARD TO CLAMP YOU HANDS.

After assembling, they should be placed on the ground and you should have 6 or 8 or 10 or 12 assembled poles with the same length.

STEP2(FOR A AND B): Use Screw(5/6/7) Nylon Washer (X1) and Safety Nut(U1),connect the Connector(3).

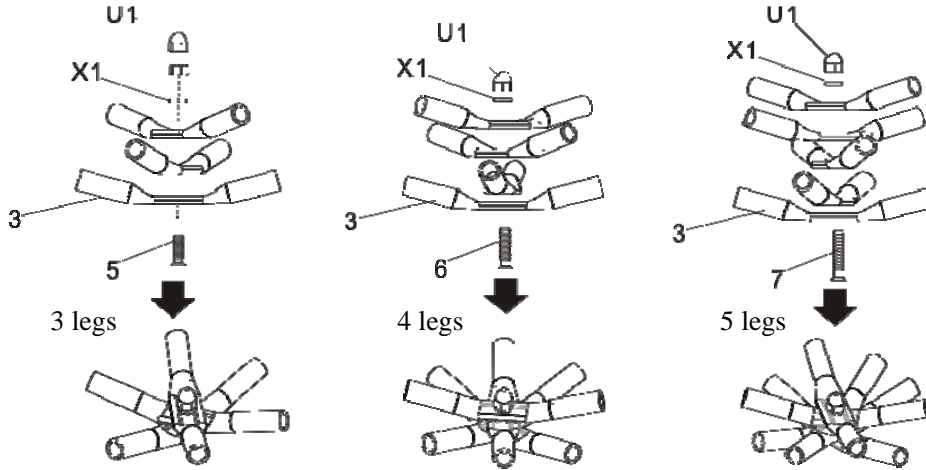


FIGURE 2

STEP 3:

FOR A :Connect tube #2 to top cup using screw(6),nylon washers(X1) and nut (U1).(See figure 3)

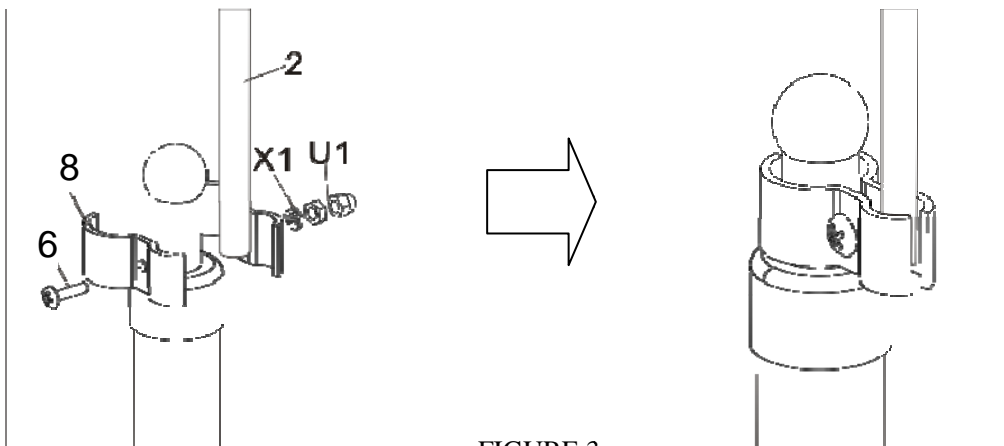


FIGURE 3

STEP 4:

FOR A : Put tube into the connector.(See figure 4)

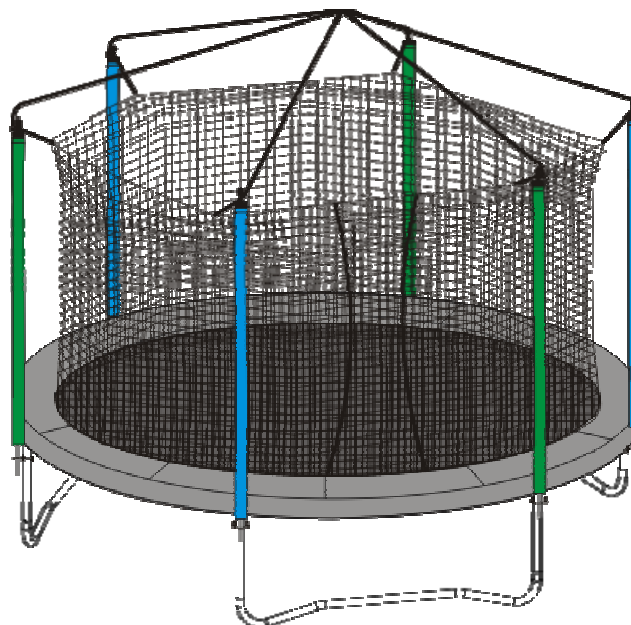


FIGURE 4

FOR B: Now place the playhouse's reverse side on the Trampoline and determine which direction you want the door to face. The screened door is 'L' shaped with zippers on the inside and outside, this will be your playhouse access point. Please make sure that there are 6 or 8 or 10 or 12 sleeves which divide the whole playhouse into 6 or 8 or 10 or 12 parts of the same area and the sleeves are up against the top frame. Put the CONNECTOR in the center of Playhouse. Using the band fix it. (see figure 5)

Now slide one assembled pole into the sleeve of the playhouse, do not force the pole(s) through the sleeve(s), you have to gather playhouse fabric together to ease the pole through the sleeve. Repeat with the other poles into the other sleeves

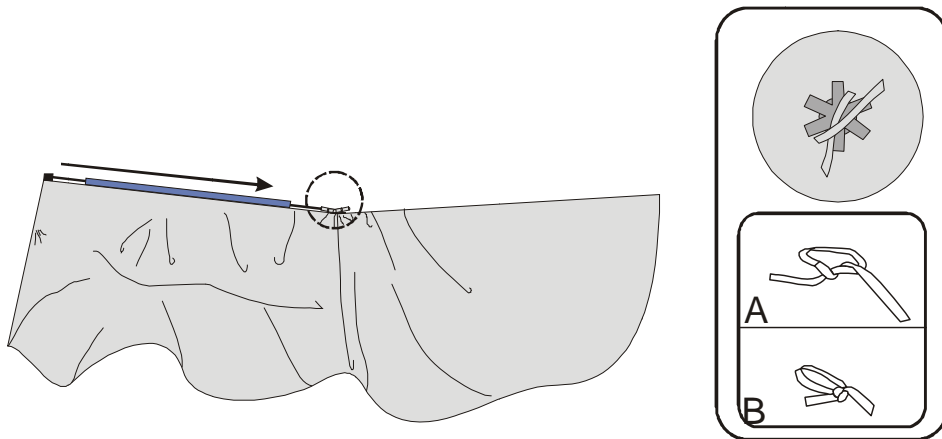


FIGURE 5

STEP 5:

FOR A AND B Overturn the playhouse to the right side, then cover the trampoline with safety net from top to bottom. Using the band fix on the each safety net pole. Please see the figure 6.

It is recommended that three or four adults assemble this step together.

Please note, don't use ladder in the trampoline or lean against the enclosure pole and net.

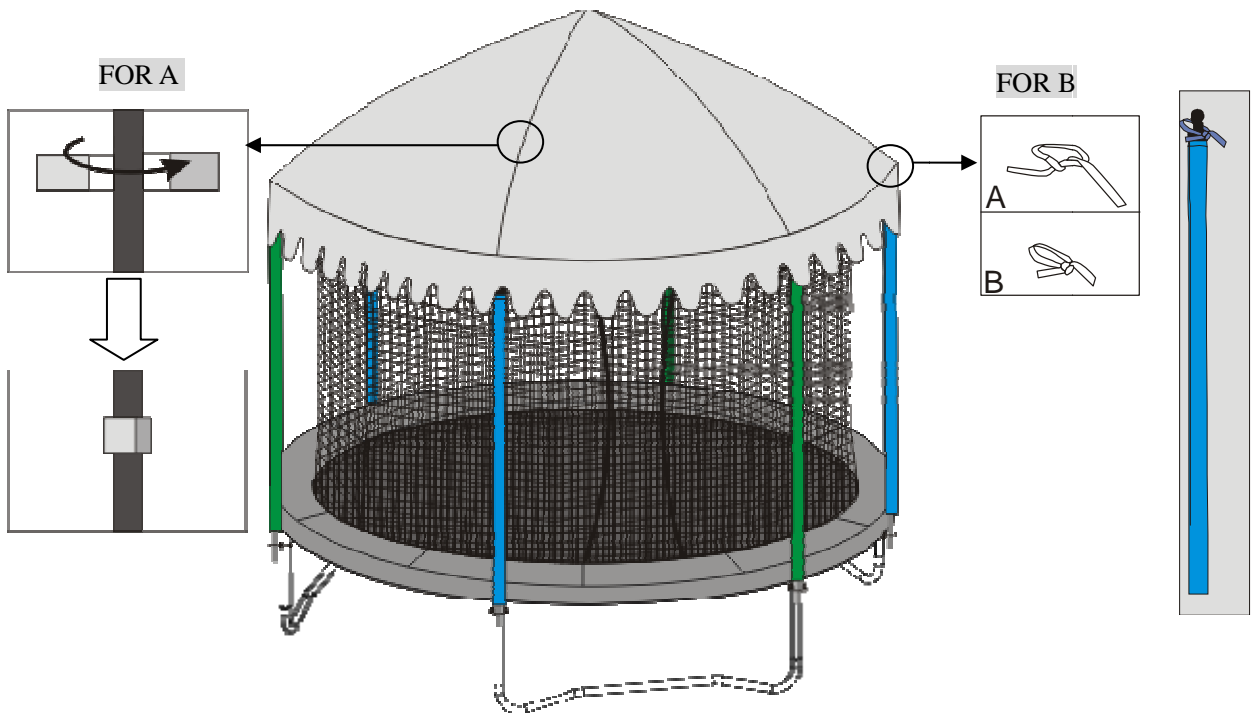


FIGURE 6

Step 6: Put the knot A in 4 &knot B in 10 link together, then connect circle around (See figure 7).

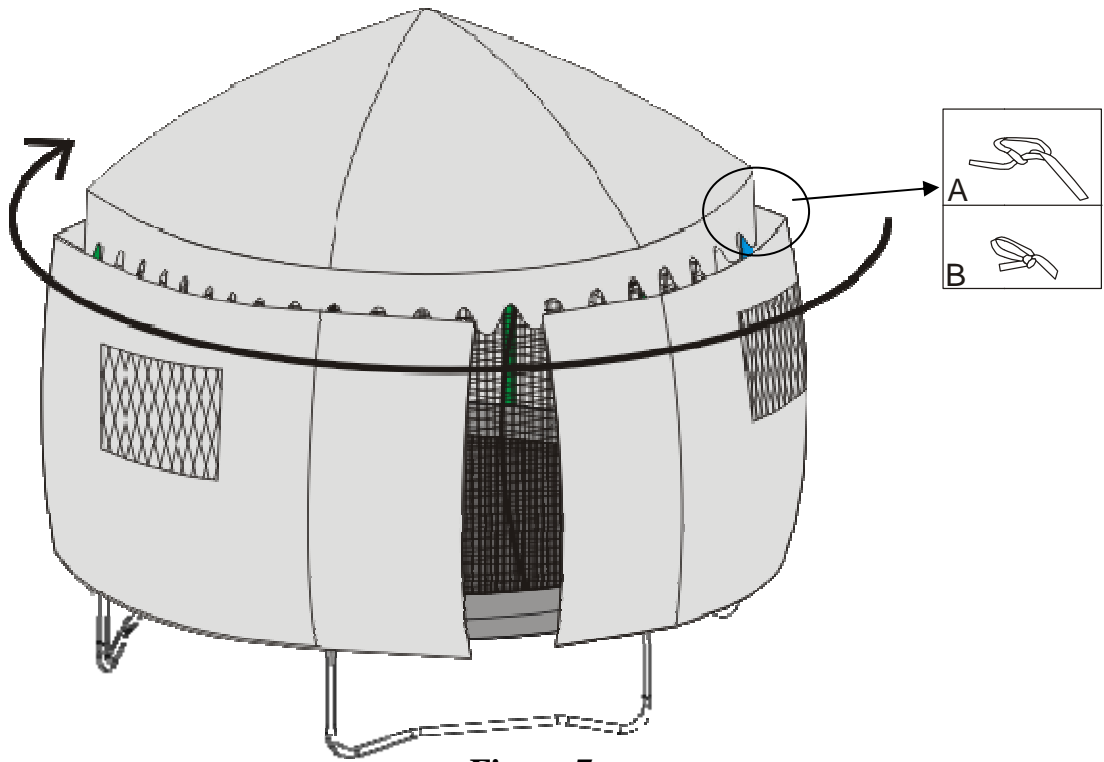


Figure 7

STEP 7:

Hang the end of hook to the V-ring as shown A and B. Please see the figure 8.

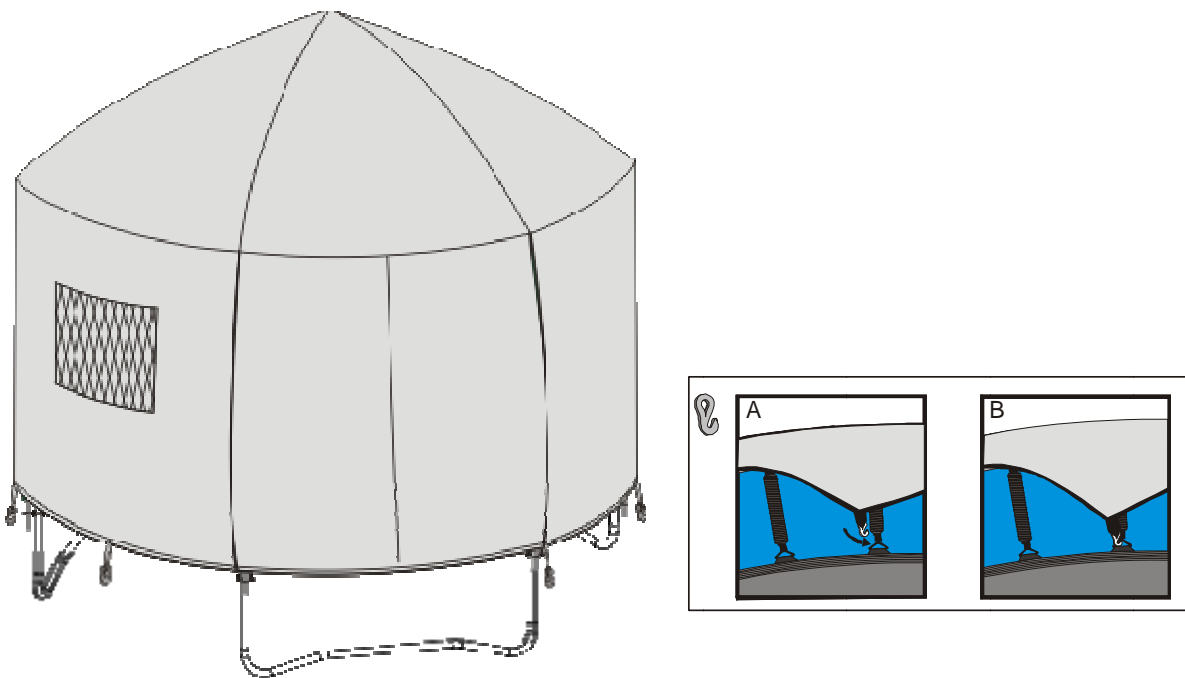


FIGURE 8

HOW TO DISASSEMBLE AND STORE THE TRAMPOLINE PLAYHOUSE

Prolonged exposure to the sun and elements (especially UV rays) will shorten the life of the playhouse fabric. For longer playhouse life, use a trampoline cover to protect it and the trampoline from exposure during short periods of non-use. Remove the playhouse from the trampoline during bad weather or during long periods of non-use. Once removed, it should be stored in a clean dry place. (We recommend that you retain the playhouse box to store your playhouse during long periods of non-use).

To remove the playhouse from the trampoline

Make sure the playhouse is dry before removing and storing. Reverse the order of the basic assembly process. Store the playhouse in a safe, dry location. Once the playhouse is stored, remove all items from the trampoline mat. Make sure the mat is clean and that it has no tears or holes.

TRAMPOLINE PLAYHOUSE Safety Information

Need for TRAMPOLINE PLAYHOUSE Safety

A TRAMPOLINE PLAYHOUSE is a recreational product. It is designed to be installed on the frame of a standard octagon or round trampoline 6, 7, 8, 9, 10, 11, 12, 13, 14 or 15 feet in diameter (depending on the model of the playhouse purchased). The following information identifies important safety precautions. Some of these precautions apply to all kinds of playhouses and some are unique to this TRAMPOLINE PLAYHOUSE. The list is not all-inclusive.

Assemble the Playhouse Safely

Detailed step-by-step instructions in this instruction manual describe how to assemble the playhouse. Adults, not children, must assemble the playhouse, wear work gloves to protect your hands from pinch points during assembly. When you assemble the playhouse, the shock-corded fiberglass poles will be under some tension to keep the proper form of the playhouse. Keep children away from the TRAMPOLINE PLAYHOUSE while it is being assembled, and do not allow them to play with playhouse parts during assembly.

To prevent pinches and cuts during playhouse use, the frame pad must be installed on the trampoline. The frame pad must be installed prior to erecting the playhouse. The frame pad reduces the chance of injury from accidental contact with the springs and frame .

Use the Playhouse Safely

Adult supervision of children using the playhouse is recommended at all times.

Adults must pay attention to :

- *The articles that children bring into the playhouse
- *Children's activities inside the playhouse
- *Conditions inside the playhouse when children are using it
- *The way children get into and out of the playhouse

Additional details of safe playhouse use are described below:

Keep all fires and flames (including grills and barbecues) away from the playhouse, no fires or other ignition sources should be permitted in, under or near the playhouse. Examples of these include cigarettes, lighters, matches, and lighted candles. In addition lanterns (propane, butane, kerosene, gasoline), catalytic heaters, canned-heating units, and similar heating or lighting units should not be used.

Carbon monoxide poisoning hazard associated with playhouses:

Just as with normal playhouses, using heaters, grills and other such products inside the TRAMPOLINE PLAYHOUSE

pose a risk of carbon monoxide poisoning. Carbon monoxide is odorless and colorless. It is produced as oxygen levels drop during combustion from a fire or other heat sources in an area that has insufficient ventilation. The carbon monoxide becomes trapped inside a closed playhouse.