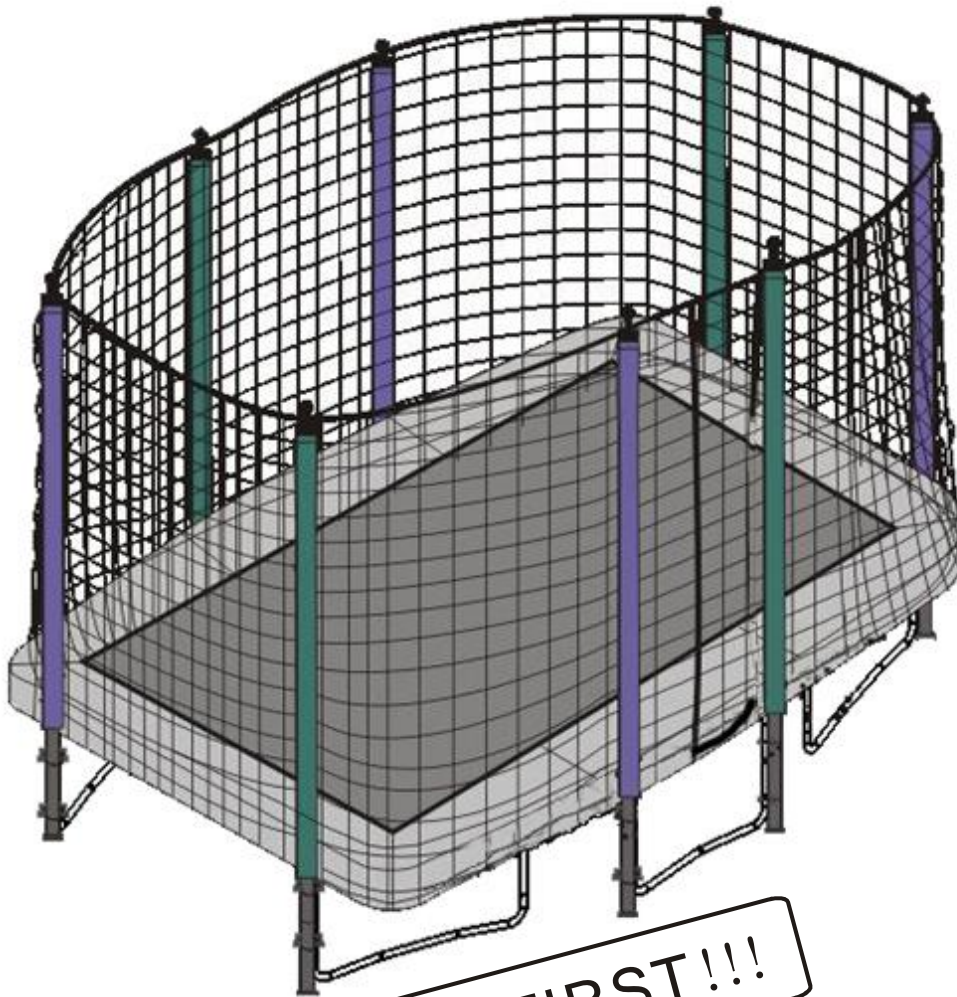


Safety net for trampoline



READ THIS FIRST!!!

Thank you for purchasing our product

IN CASE OF MISSING OR BROKEN PARTS, PLEASE CONTACT PLACE OF PURCHASE FOR ASSISTANCE.

Adult Supervision *Adult assembly required.

*Adult supervision required for children using Safety net.

Protect Children: *Prevent falls and strangulation---Exit through the door only, and use caution.

*Assist young children in and out of Safety net.

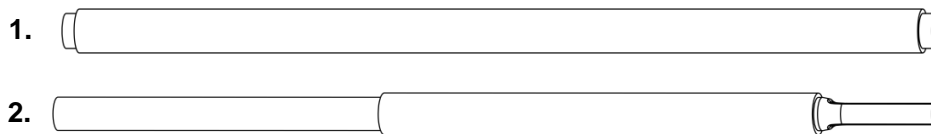
ASSEMBLY INSTRUCTION FOR PROTECTIVE NET

1. PACKAGE CONTENTS :

Reference Number	Description	TRP
1	Steel Pipe	8PCS
2	Steel Pipe	8PCS
3	Steel Jig	16PCS
4	Screw Set	16PCS
5	Safety Net	1PC
6	Spacer	16PCS
7	Pole Cover	8PCS
8	CAP	8PCS
9	Safety Nut	16PCS
10	Spanner	1PC

2. DIAGRAMS FOR PARTS:

TUBE:



OTHERS:

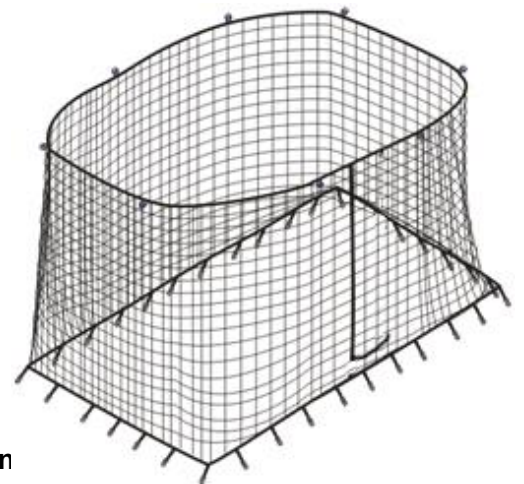
3. Steel Jig



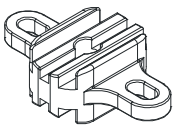
4. Screw Set



5. Safety Net



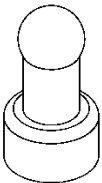
6. Spacer



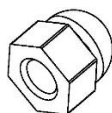
7. Pole Cover



8. CAP



9. Safety Nut



10. Spann



WARNING: To avoid strangulation and entanglement, keep all cords out of the reach of young children.

WARNING: READ AND FOLLOW THIS INSTRUCTION, PRIOR TO ASSEMBLE AND USE OF THIS EQUIPMENT.

ASSEMBLY INSTRUCTION FOR PROTECTIVE NET

STEP 1:

PUT STEEL PIPES #1 AND #2 CONNECTED TOGETHER AS SHOWN IN FIGURE 1. MAKE POLE COVER COVER THE STEEL PIPE AS SHOWN IN FIGURE 2. ATTACH A CAP AT THE END OF THE PIPES.



FIGURE 1

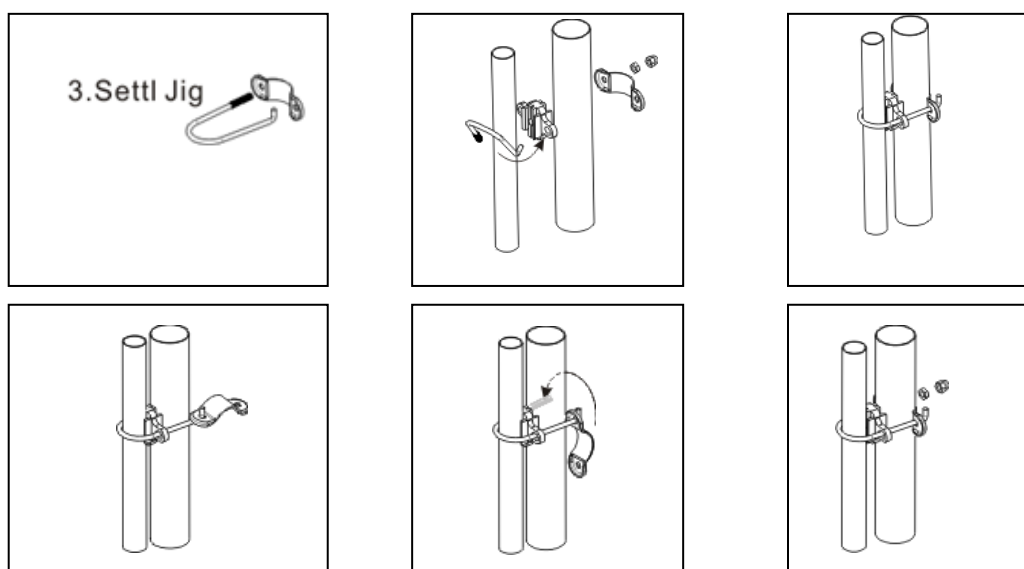
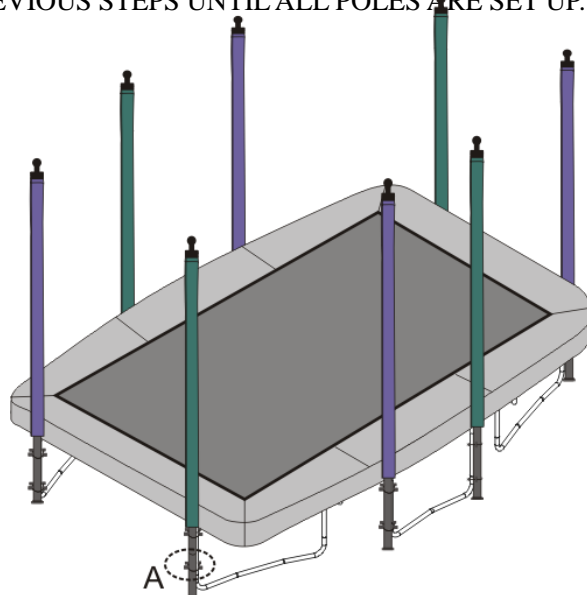


FIGURE 2



FIGURE 3

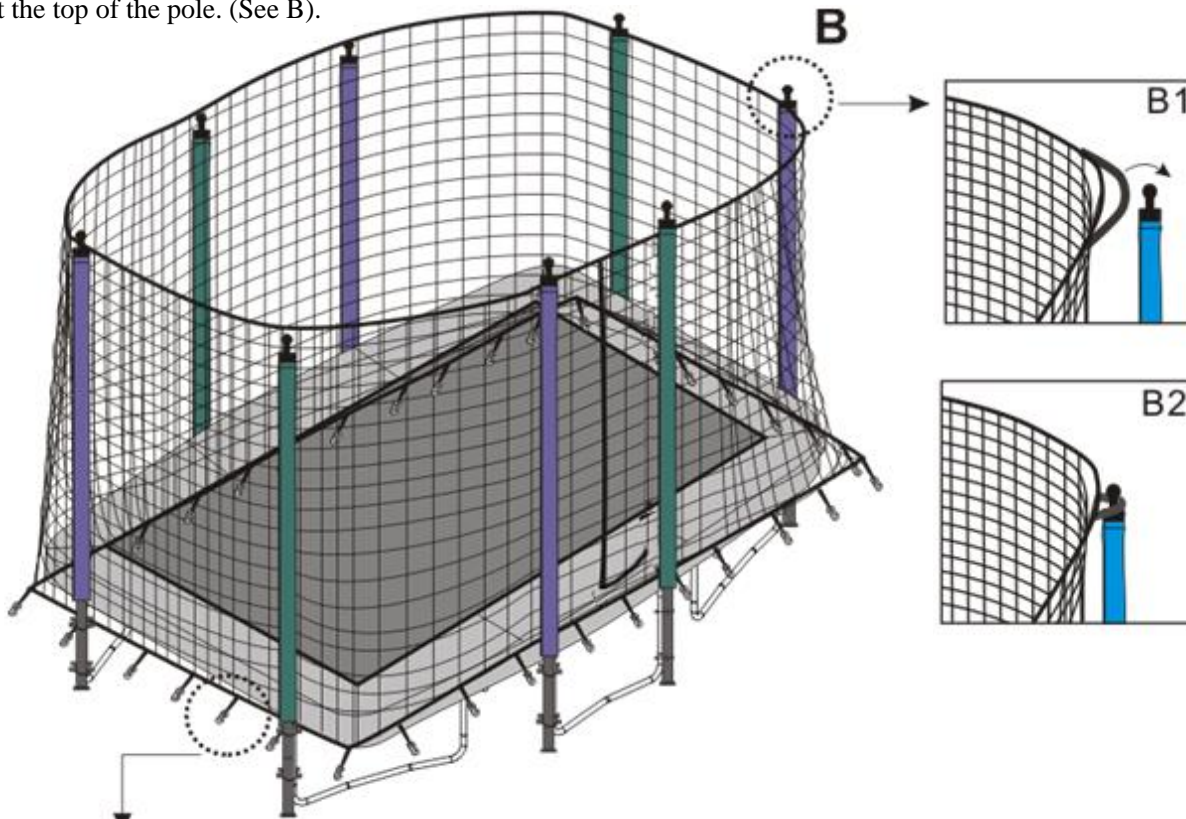
STEP 2: REPEAT THE PREVIOUS STEPS UNTIL ALL POLES ARE SET UP.




Fix the support pipes onto the trampoline legs with jigs and spacers. Attach securely using washers and bolts. Each support pipe will require 2 jigs and spacers to attach it to the trampoline leg correctly.

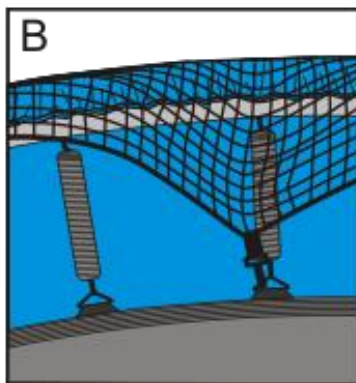
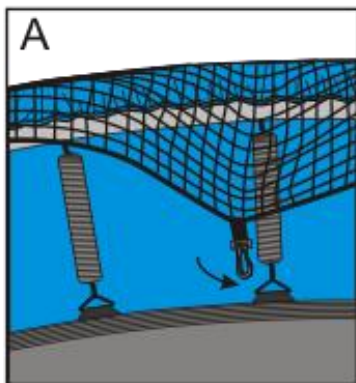
ASSEMBLY INSTRUCTION FOR PROTECTIVE NET


STEP 3: Stretch Net Assembly (#3) out. Locate the panel with the doorway and align the net as to where you would like to get in and out of the trampoline. The edge with the pre-sewn hanging loop is the upper part of the net and will be hooked at the top of the pole. (See B).

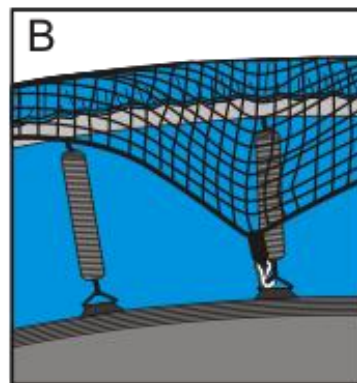
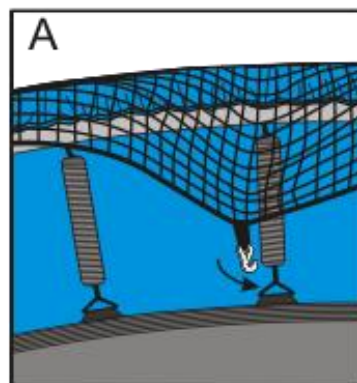


STEP 4: The back

 Press one side of the elasticity button, and then hang the end of hook to the V-ring as shown A and B.

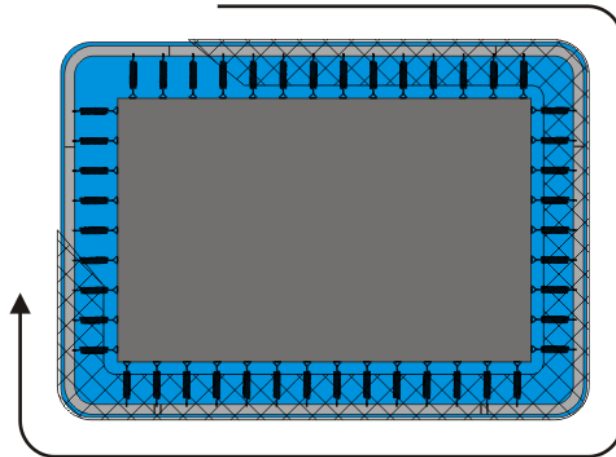


 Hang the end of hook to the V-ring as shown A and B.

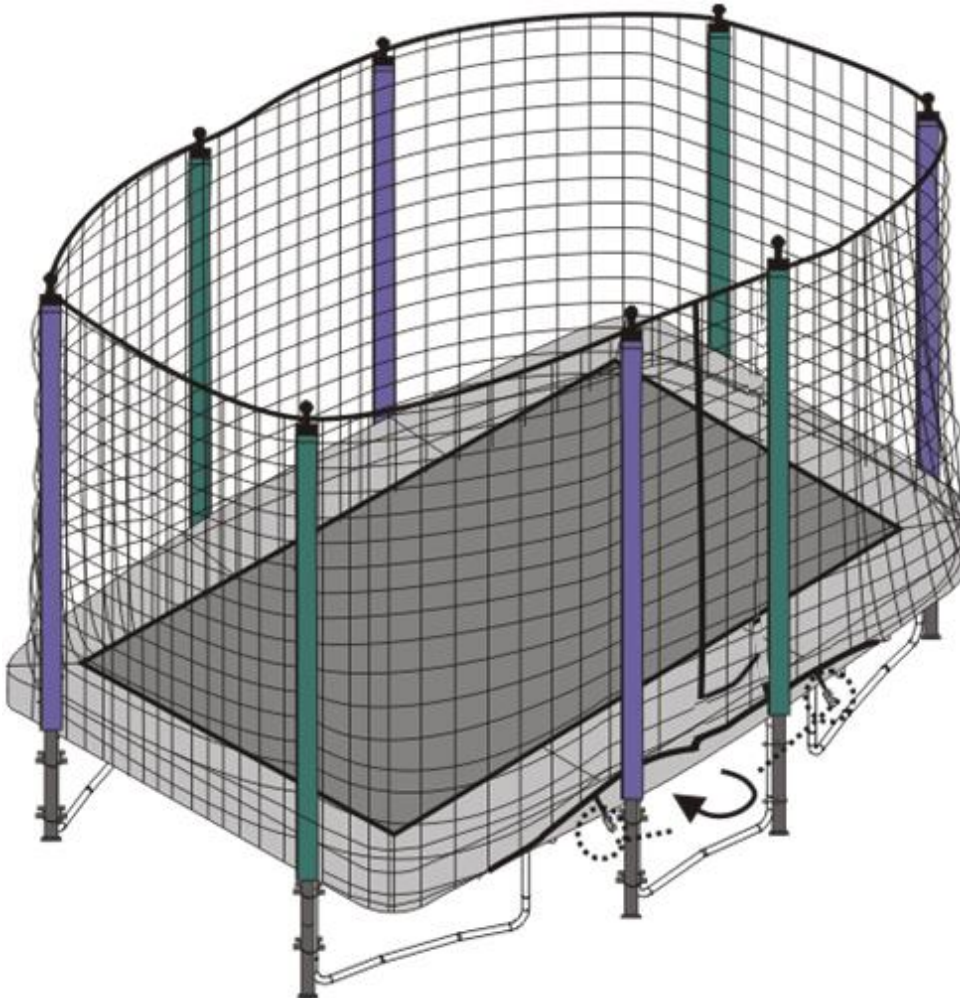


ASSEMBLY INSTRUCTION FOR PROTECTIVE NET

STEP 5: HOOK TO THE V-RING AS ORDER AS THE SHOW.



STEP 6: WHEN YOU SET UP AS SAME AS **FIGURE 7**. YOU NEED MORE FORCE TO PULL DOWN THE NET(MAYBE NEED TO TWO ADULTS HELP). SO THE NET WILL VERY TIGHT FOR TRAMPOLINE.



⚠ IMPORTANT WARNING!!

YOU SHOULD GO BACK NOW AND STRETCH ALL ATTACHMENT HOOKS TIGHT AND DOUBLE CHECK TO SEE WHETHER YOU HAVE FASTENED THE JIGS USE THE SCREW SETS OR NOT, SO THE SAFETY NET STANDS STIFF. OTHERWISE, THE SAFETY NET WILL NOT FUNCTION PROPERLY. THEN FINISH ASSEMBLING.

IMPORTANT – PLEASE READ!

WARNING – GENERAL SAFETY ADVICE

- Please read the instructions before use, and retain for future reference.
- Ensure the trampoline Safety Net has been assembled correctly, as per the instructions in the manual.
- Children **MUST NEVER** use the trampoline unless supervised by a responsible adult with knowledge of trampoline use.
- Children **MUST NEVER** be left unattended inside the Safety Net at any time.
- **ALWAYS** follow the safety warnings stated with your trampoline instructions in conjunction with using Safety Net.
- **DO NOT** climb, swing or intentionally jump onto the panels or poles of the Safety Net.
- If the Safety Net material becomes damaged refrain from use.
- The Safety Net is **ONLY** intended to be used to reduce the risk of injury from falling off the trampoline.
- **DO NOT** let children take items or toys into the Safety Net.
- Please read and refer to other warnings and use information in the trampoline and Safety Net instructions before use.

Please retain this information for future reference.

Care & Use

- Assembly Information - This Safety Net must be assembled by an adult. They must be assembled exactly in accordance with the assembly instructions. Enlisting the aid of a helper will make assembly easier. This Safety Net contains small parts and is not suitable for children under 3 years. Please take an inventory of all parts before assembly. Should there be any missing parts, the equipment must not be used until replacement parts have been fitted.
- Location – Your trampoline must be placed on a flat and level surface which is well-lighted. Under no circumstances should it be positioned on a hard surface such as concrete or asphalt, unless the ground under the trampoline has free-space of 2 metres surrounding the trampoline and is covered with a safety surface as well as a 7 metres clearance space in height. Examples of suitable surfaces are grass, sand or a play surface intended for this trampoline. It is important not to place or store anything under your trampoline. Please also read the instructions accompanied with your trampoline.

Safety Information

- This Safety Net is designed and made for family domestic use only by people 6 years and older. It is not a rebounding device. It is designed as an Safety Net to

(1) control entry and exit to and from the trampoline and,

(2) allow jumpers to gain confidence, balance, coordination and agility without the fear of rebounding off the trampoline, where injury could occur.

- Adult supervision of children – Children should always be supervised while they are playing on the trampoline fitted with an Safety Net and should be instructed not to use it in an inappropriate or hazardous manner. In particular be aware of:
 - The objects children bring into the Safety Net
 - Children's activities inside the Safety Net
 - Conditions inside the Safety Net when children are using it
 - The way children get into and out of the Safety Net
- Children should not wear cycle helmets while playing on the trampoline.
- The frame of your trampoline is made of steel and it will conduct electricity. No electrical equipment (lights, heaters, extension cords, household appliances, etc.) should be permitted in or on the Safety Net under any circumstances to avoid the risk of electrocution.
- Never allow more than one person to use the trampoline at a time. Multiple users may collide with each other and this can result in serious injury.
- As your trampoline mat is raised off the ground, there is the risk of a fall when exiting the trampoline through the door of the Safety Net. Children should be assisted when entering and exiting the Safety Net so to reduce their risk of falling.
- Only the door of the trampoline Safety Net should be used to enter or exit the Safety Net.
- Weather conditions – Special care should be taken as weather conditions change. In particular, surfaces can become slippery in wet weather and tongues and lips can stick to the metalwork at subzero temperatures. In warmer and sunnier weather, parts can become hot, and temperatures should be regularly checked during use, especially metal parts.
- Please clean the trampoline with brush or moist cloth

Care & Maintenance Of Your Trampoline

- With all products it is vital that the equipment is checked regularly and often by an adult. The complete products should be checked at least once a month, and particular attention should be paid to connections and fastenings. If any parts exhibit signs of wear and tear, they may need to be replaced. Failure to do this may result in the product malfunctioning and causing injury.
- The product must not be used until properly and fully installed and checked. Galvanised tubular products may require occasional maintenance. If surface rust appears it should be removed with either a wire brush or coarse sandpaper, and the area treated with non-toxic paint.
- To avoid damage to the Safety Net, do not allow pets or other animals inside. Their claws and teeth can damage the netting and the trampoline mat.
- Make sure that no bonfires are lit close enough to threaten your trampoline and Safety Net. In windy conditions, sparks and embers can travel significant distances and burn holes in both the Safety Net netting and trampoline mat.
- Any large trampoline, with or without an Safety Net, can be blown around in high winds and cause injury or damage. We recommend that the Safety Net should be removed under these conditions and stored in a dry place.

Office: XXX Co.,Ltd

ADD.:

TEL :

FAX:

*MANUFACTURER: KOGEE OUTDOOR GROUP
NO.8-2,CHONGDONGROAD,SANHE TOWN,
TAISHAN,GUANGDONG,529252,CHINA.*